

## KOP-FLEX® PM GEAR COUPLINGS SOLVE SHAFT MISALIGNMENT PROBLEMS



KOP-FLEX® High Misalignment PM (Paper Machine) Gear Couplings.

*KOP-FLEX® High Misalignment PM (Paper Machine) Gear Couplings are trusted and routinely used by many major paper machine OEMs.*

The KOP-FLEX Paper Machine Coupling can accommodate up to 6° of shaft misalignment and is designed for use on modern, high-speed paper machine roll drives.

The high misalignment handling capability of the KOP-FLEX PM Coupling is provided to facilitate easier machine maintenance by allowing driven rolls to be raised during shutdown for wire and felt changes.

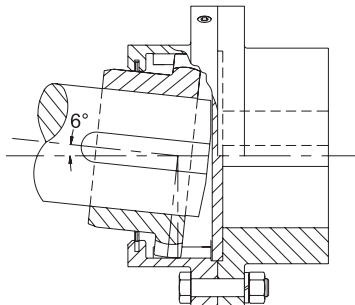
The KOP-FLEX Paper Machine Coupling is also a perfect selection for use in:

- Wet or high-temperature paper mill sections

- Applications where misalignment handling requirements are greater than the normal capacity of standard gear or disc couplings (typically less than 0.5°)
- Paper mills experiencing misalignment related coupling failures

KOP-FLEX High Misalignment PM (Paper Machine) Gear Couplings are readily available "off the shelf" or can be bored to fit your shaft for same-day shipment.

Contact your Kaman representative to learn more about this unique Paper Machine Coupling solution!



KOP-FLEX High Misalignment PM (Paper Machine) Gear Coupling. Seal ring shown at maximum shaft inclination 6°.



**EMERSON™**  
Industrial Automation

**KOP-FLEX®**